

UNLESS OTHERWISE SPECIFIED:

DIMENSIONS ARE IN INCHES  
 TOLERANCES:  
 FRACTIONAL ±  
 ANGULAR: MACH ± BEND ±  
 TWO PLACE DECIMAL ±  
 THREE PLACE DECIMAL ±

MATERIAL

FINISH

DO NOT SCALE DRAWING

	NAME	DATE
DRAWN	GM	1/27/2020
CHECKED		
APPROVED		
CAD DRAWING PREPARED BY:		



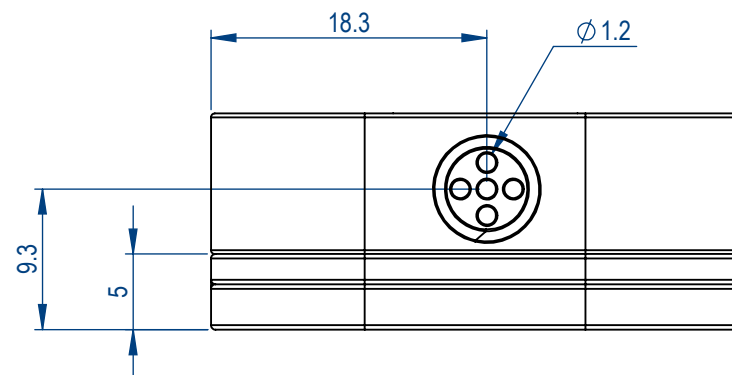
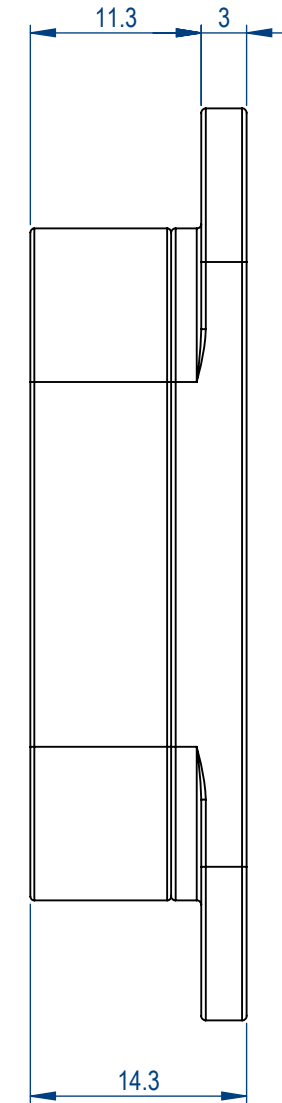
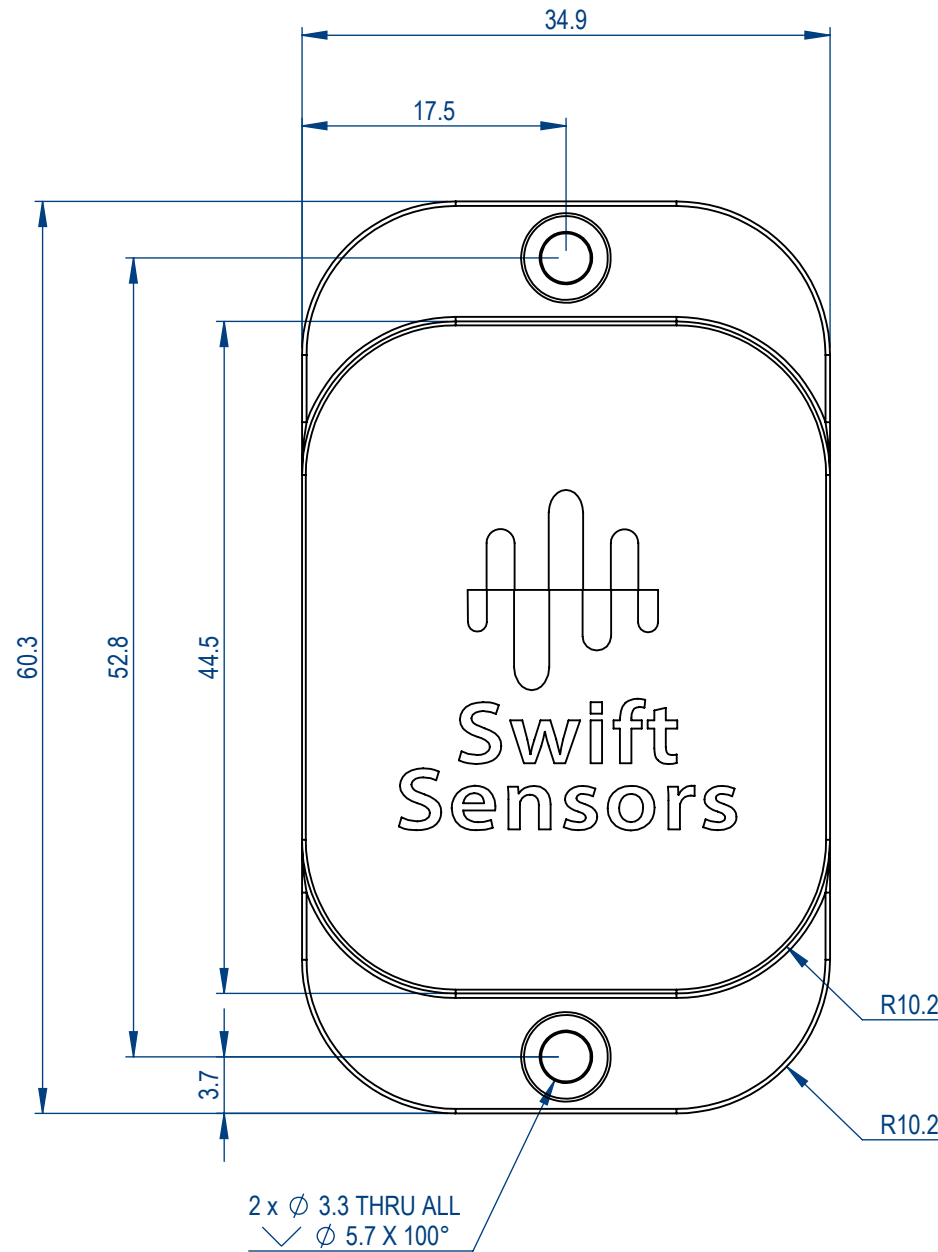
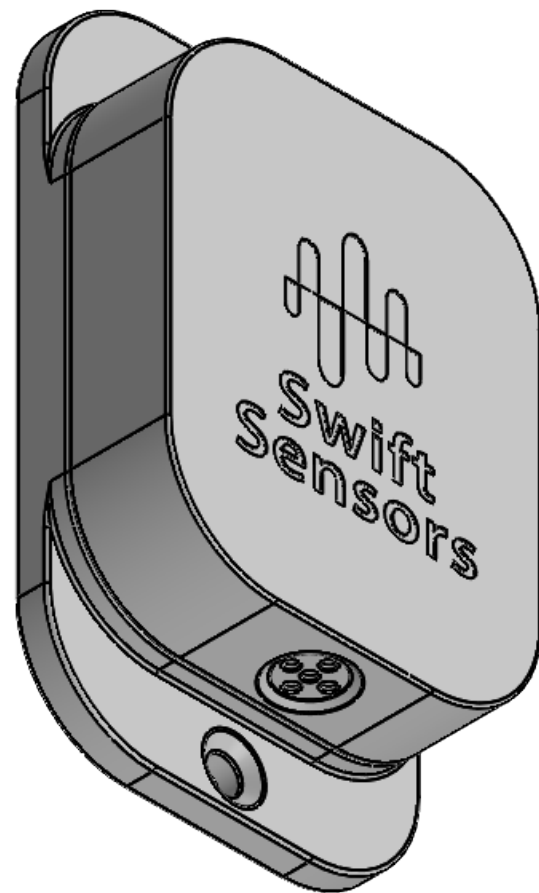
Swift Sensors | Austin, TX

TITLE:  
**101 Sensor Housing**  
 Overall Specs

SIZE DWG. NO. REV

**B** SH-001

SCALE: 2:1 WEIGHT: SHEET 1 OF 1



UNLESS OTHERWISE SPECIFIED:

DIMENSIONS ARE IN MM  
TOLERANCES:  
FRACTIONAL ±  
ANGULAR: MACH ± BEND ±  
TWO PLACE DECIMAL ±  
THREE PLACE DECIMAL ±

MATERIAL

FINISH

DO NOT SCALE DRAWING

	NAME	DATE
DRAWN	GM	1/27/2020
CHECKED		
APPROVED		
CAD DRAWING PREPARED BY:		



Swift Sensors | Austin, TX

TITLE:

101 Sensor Housing  
Overall Specs

SIZE DWG. NO. REV

B SH-001MM

SCALE: 2:1 WEIGHT: SHEET 1 OF 1