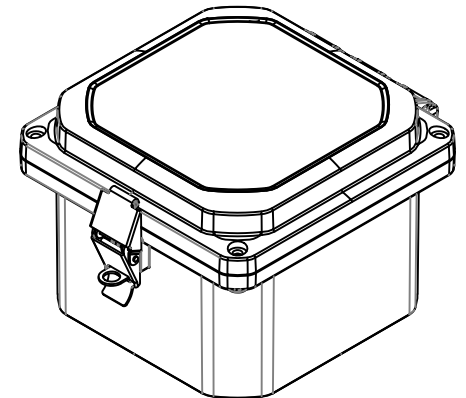


CUTOUT VIEW



PROPRIETARY AND CONFIDENTIAL THE INFORMATION CONTAINED IN THIS DRAWING IS THE SOLE PROPERTY OF SWIFT SENSORS, AUSTIN, TEXAS. ANY REPRODUCTION IN PART OR AS A WHOLE WITHOUT THE WRITTEN PERMISSION OF SWIFT SENSORS, AUSTIN, TEXAS IS PROHIBITED.		SIZE B	DWG. NO. NEMA Gateway Enclosure	REV
SCALE: NTS			SHEET 1 OF 1	